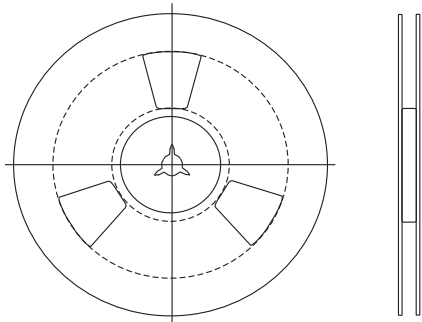


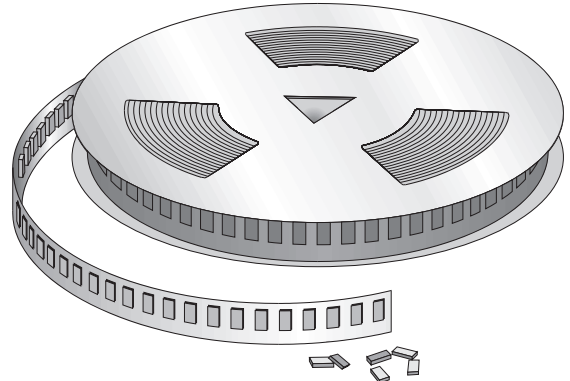


TAPE AND REEL (CRYSTAL)

Surface Mount Miniature Quartz Crystal
Reference: EIA-481



7" Reels



Carrier tape material: 3000 Black Conductive Polycarbonate

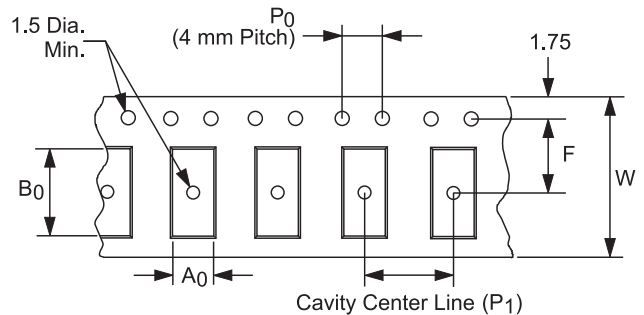
Notes:

1. Reel sketch is for reference only.
2. The center hole (hub hole) diameter is per EIA-481 standard 13 mm size.

REEL SELECTION

Unless specified otherwise, the following reel sizes and orientation will be used for the quantities listed.

CRYSTAL TYPE	MAX QUANTITIES PER REEL	ORIENTATION (Unless Specified Otherwise)
CX1	180 mm (7 in.)	Random
CX3	2000	Random
CX4	2900	Random
CX9	3500	Random
CX11	4000	Random
CX16	5000	Random
CX17	1000	Random
CX18	5000	Random
CX20	4800	Random



PART TO PART INDEXING P₁ AND A₀ & B₀ DIMENSIONS

Dimensions are in millimeters	P ₁	A ₀	B ₀	Tape Width
CX1	8.0	4.0	8.4	16
CX3	4.0	2.8	7.1	16
CX4	4.0	2.2	5.3	12
CX9	4.0	1.8	4.5	12
CX11	4.0	1.9	3.6	12
CX16	4.0	1.4	2.2	8
CX17	8.0	5.2	3.3	16
CX18	4.0	1.0	1.8	8
CX20	4.0	1.5	2.8	8

For 16 mm tape width, F = 7.5, W = 16
 For 12 mm tape width, F = 5.5, W = 12
 For 8 mm tape width, F = 3.5, W = 8

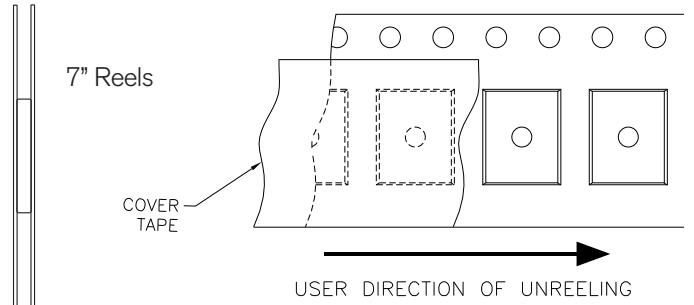
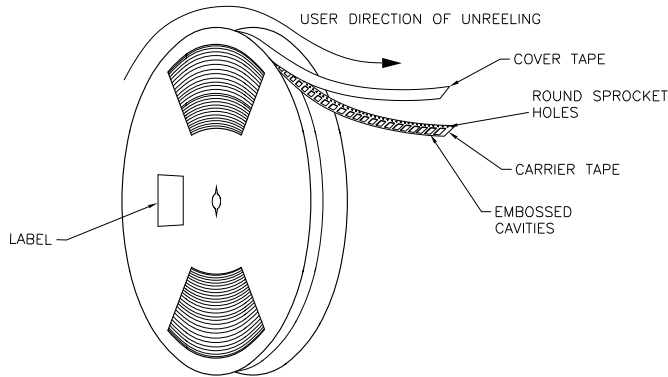
Note: for 13" reels please contact factory.





TAPE AND REEL (OSCILLATOR)

Surface Mount Miniature Quartz Crystal Oscillator
Reference: EIA-481



- Notes:
1. Reel sketch is for reference only.
2. The center hole (hub hole) diameter is per EIA-481 standard 13 mm size.

REEL SELECTION

Unless specified otherwise, the following reel sizes will be used for the quantities listed.

OSCILLATOR TYPE	MAX QUANTITIES PER REEL
	180 mm (7 in.)
CXOMK	1000
HGXO	400
HFXO	400
LFXO	400
CXOX	2500
STXOA	2500
CXOL	4000
CXOQ	3600
CXOU	4000

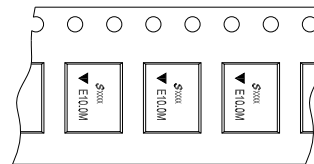
PART TO PART INDEXING P₁ AND A₀ & B₀ DIMENSIONS

Dimensions are in millimeters.	P ₁	A ₀	B ₀	Tape Width
CXOMK	8.0	5.4	6.9	16
HGXO	8.0	5.6	7.7	16
HFXO	8.0	5.4	6.9	16
LFXO	8.0	5.4	6.9	16
CXOX	4.0	2.9	3.6	12
STXOA	4.0	2.9	3.6	12
CXOL	4.0	1.9	3.6	12
CXOQ	4.0	2.2	2.7	8
CXOU	4.0	1.4	2.2	8

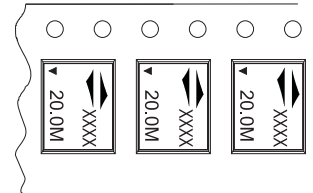
OSCILLATOR ORIENTATION IN TAPE CAVITY - See pin 1 locator (▼)

Top View

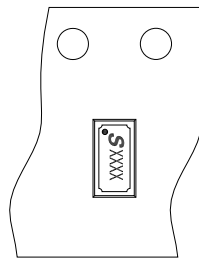
CXOMK, HGXO, LFXO, HFXO



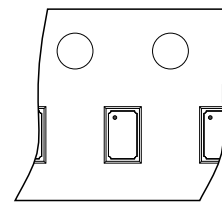
CXOX, STXOA



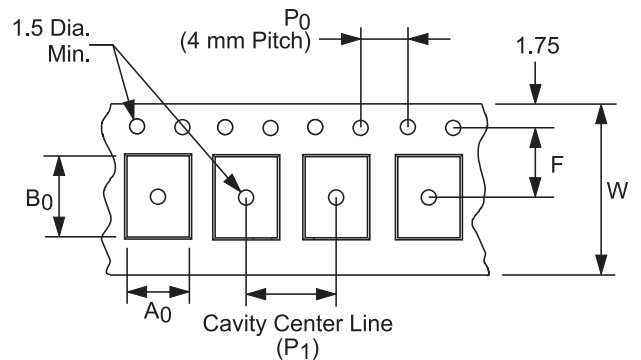
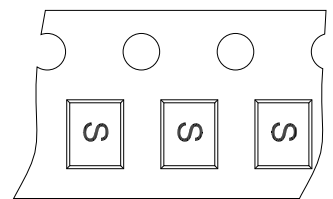
CXOL



CXOU



CXOQ, STXOB



Note: for 13" reels please contact factory.

For 16 mm tape width, F = 7.5, W = 16
For 12 mm tape width, F = 5.5, W = 12
For 8 mm tape width, F = 3.5, W = 8

10109 - Rev I

