



CX1SM CRYSTAL

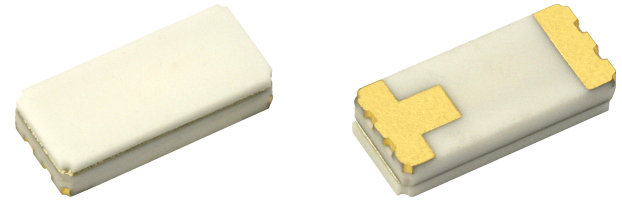
530 kHz to 2.1 MHz
Surface Mount Quartz Crystal

DESCRIPTION

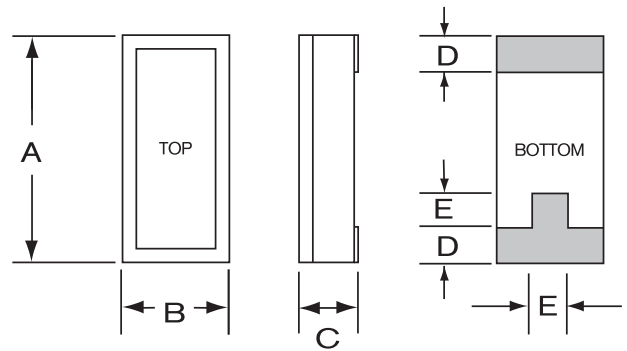
High performance quartz crystal designed and manufactured for high-reliability applications.

FEATURES

- Extensional mode design
- Designed for low power applications
- Compatible with hybrid or PC board packaging
- Low aging
- Full military testing available
- Ideal for battery operated applications
- Designed and manufactured in the USA

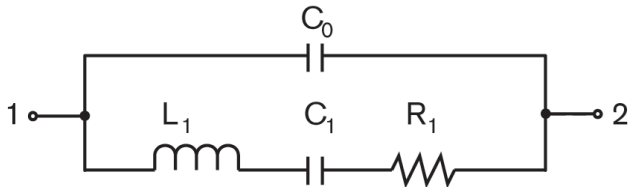


PACKAGE DIMENSIONS



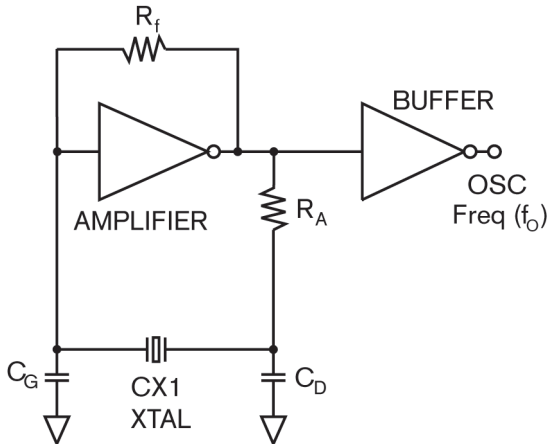
DIM	Termination	TYPICAL		MAXIMUM	
		inches	mm	inches	mm
A		0.315	8.00	0.330	8.38
B		0.140	3.56	0.155	3.94
C	SM1	—	—	0.070	1.78
C	SM2/SM4	—	—	0.072	1.83
C	SM3/SM5	—	—	0.075	1.90
D		0.045	1.14	0.055	1.40
E		0.060	1.52	0.070	1.78

EQUIVALENT CIRCUIT

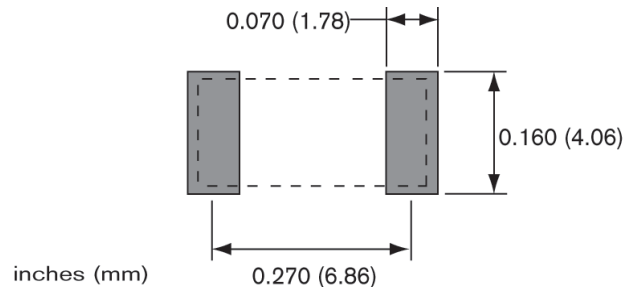


R_1 Motional Resistance L_1 Motional Inductance
 C_1 Motional Capacitance C_0 Shunt Capacitance

CONVENTIONAL CMOS PIERCE OSCILLATOR CIRCUIT



SUGGESTED LAND PATTERN



SPECIFICATIONS

Specifications are typical at 25°C unless otherwise noted. Specifications are subject to change without notice.

Parameters	Fundamental				Overtone	
	555 k	614 k	1.0 M	1.4 M	1.8432 M	2.1M
Frequency Range, (Hz)	555 k	614 k	1.0 M	1.4 M	1.8432 M	2.1M
Motional Resistance, R_1 (Ω)	600	275	500	775	300	475
Motional Resistance, R_1 MAX	3 k Ω					
Motional Capacitance, C_1 (fF)	2.5	3.6	2.0	1.5	2.8	2.6
Quality Factor, Q (k)	170	260	190	100	110	70
Shunt Capacitance, C_0 (pF)	1.2	1.3	1.1	1.0	1.3	1.3

Calibration Tolerance¹ \pm 500 ppm (0.05%)
 \pm 1000 ppm (0.1%)
 \pm 10000 ppm (1.0%)

Drive Level 3 μ W MAX

Load Capacitance² 7 pF

Turning Point (T_0)² 35°C

Temperature Coefficient (k) -0.035 ppm/°C²

Note: Frequency f at temperature T is related to frequency f_0 at turning point temperature T_0 by: $\frac{f-f_0}{f_0} = k(T-T_0)^2$

Function Mode Extensional
 Aging, first year 5 ppm MAX
 Shock, survival 750 g, 0.3 ms, 1/2 sine
 Vibration, survival 10 g RMS, 20-1,000 Hz random
 Operating Temp. Range -10°C to +70°C (Commercial)
 -40°C to +85°C (Industrial)
 -55°C to +125°C (Military)

Storage Temp. Range -55°C to +125°C

Max Process Temperature 260°C for 20 sec.

1. Tighter tolerances available.

2. Other values available.

TERMINATIONS

Designation	Termination
SM1	Gold Plated (Lead Free)
SM2	Solder Plated
SM3	Solder Dipped
SM4	Solder Plated (Lead Free)
SM5	Solder Dipped (Lead Free)

HOW TO ORDER CX1SM CRYSTALS

CX1	S	C	-	SM1	1.0M	,	500	/	I
	Special Blank = Standard S = Special or Custom	Lid C = Ceramic Lid		Terminations SM1 = Gold Plated (Lead Free) SM2 = Solder Plated SM3 = Solder Dipped SM4 = Solder Plated (Lead Free) SM5 = Solder Dipped(Lead Free)	Frequency K = kHz M = MHz		Calibration Tolerance @ 25°C (in ppm)		Operating Temp. Range C = -10°C to +70°C I = -40°C to +85°C M = -55°C to +125°C S = Customer Specified

TYPICAL APPLICATION FOR A PIERCE OSCILLATOR

The low profile CX miniature surface mount crystal is ideal for small, high density, battery operated portable products. The CX crystal designed in a Pierce oscillator (single inverter) circuit provides very low current consumption and high stability. A conventional CMOS Pierce oscillator circuit is shown below. The crystal is effectively inductive and in a PI-network circuit with C_D and C_G provides the additional phase shift necessary to sustain oscillation. The oscillation frequency (f_0) is 15 to 250 ppm above the crystal's series resonant frequency (f_s).

Drive Level

R_A is used to limit the crystal's drive level by forming a voltage divider between R_A and C_D . R_A also stabilizes the oscillator against changes in the amplifiers output resistance (R_O). R_A should be increased for higher voltage operation.

Load Capacitance

The CX crystal calibration tolerance is influenced by the effective circuit capacitances, specified as the load capacitance (C_L). C_L is approximately equal to:

$$C_L = \frac{C_D \times C_G}{C_D + C_G} + C_S \quad (1)$$

NOTE: C_D and C_G include stray layout to ground and C_S is the stray shunt capacitance between the crystal terminal. In practice, the effective value of C_L will be less than that calculated from C_D , C_G and C_S values because of the effect of the amplifier output resistance. C_S should be minimized.

The oscillation frequency (f_0) is approximately equal to:

$$f_0 = f_s \left[1 + \frac{C_1}{2(C_0 + C_L)} \right] \quad (2)$$

Where f_s = Series resonant frequency of the crystal
 C_1 = Motional Capacitance
 C_0 = Shunt Capacitance

PACKAGING OPTIONS

CX1SM - Tray Pack
 - Tape and Reel
 (Reference tape and reel data sheet 10109)